

WE'RE THE COMPANY THAT BRINGS YOU MICHELLE...



AND MICHELLE BRINGS YOU THE PRISM MEDICAL F-550

For the most strenuous tasks, the Prism Medical F-550 Total Lift is your most cost effective solution. This total lift spreads the entire length of the legs in a conventional V shape formation, making for a very stable lift.

The F-550 is equipped with maneuverable, high quality castors. The lift base allows for 53" (134.5 cm) of clearance to accommodate even the largest of chairs. The lift comes standard with a unique four point carry bar which provides additional head room clearance, enhancing patient/resident comfort.

PRISM MEDICAL

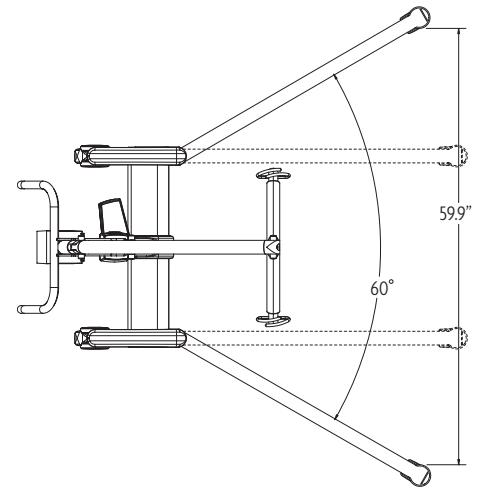
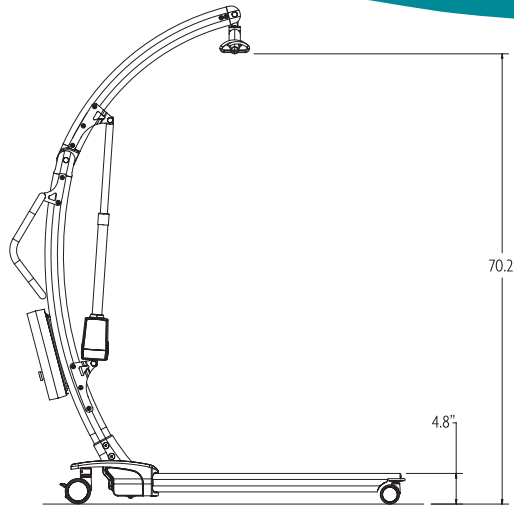
Prism Medical Ltd.

480 University Avenue, Suite 100, Toronto, ON Canada M5G 1V2 | T 416.260.2145 | 1.877.304.5438

www.prismmedical.ca

PRISM MEDICAL F-550

TOTAL LIFT



WE'RE THE COMPANY THAT BRINGS YOU EASE OF USE.

From the bottom up, the F-550 is designed to make patient transfers easier and safer. It's made with aluminum so that it's lighter and easier to move. The castors are dual-wheeled, allowing it to roll smoothly on any type of flooring (including carpet). Handles are ergonomically designed to be comfortable for any height caregiver, and the legs spread wider to provide greater stability. All of that, plus incredible lifting range and 550 lbs (250 kgs) weight capacity too!

PRODUCT HIGHLIGHTS

- Lightweight, aluminum construction
- Leg opening allows for 53" (134.5 cm) of clearance
- Unique four point carry bar which provides additional lifting height and enhanced patient comfort
- Integrated charger or optional wall mounted charger
- Ergonomically designed handles
- Allows for easy positioning of patient with no mast interference

TECHNICAL SPECIFICATIONS

- Rated Maximum Safe Working Load: 550 lbs (250 kgs)
- Minimum Lifting Height: 18.75" (47.5 cm) (Floor to bottom of carrybar while at it's lowest position)
- Maximum Lifting Height: 70" (178 cm) (Floor to bottom of carrybar while at it's highest position)
- Lift "Foot Print": 53" (134.5 cm) Long by 27" (68.5 cm) Wide

PRISM MEDICAL

Prism Medical Ltd.

480 University Avenue, Suite 100, Toronto, ON Canada M5G 1V2 | T 416.260.2145 | 1.877.304.5438

www.prismmedical.ca