

HOISTWAY 90° / ADJACENT EXIT PLATFORM (PIT APPLICATION)

VPL-3200B SERIES VERTICAL PLATFORM LIFT

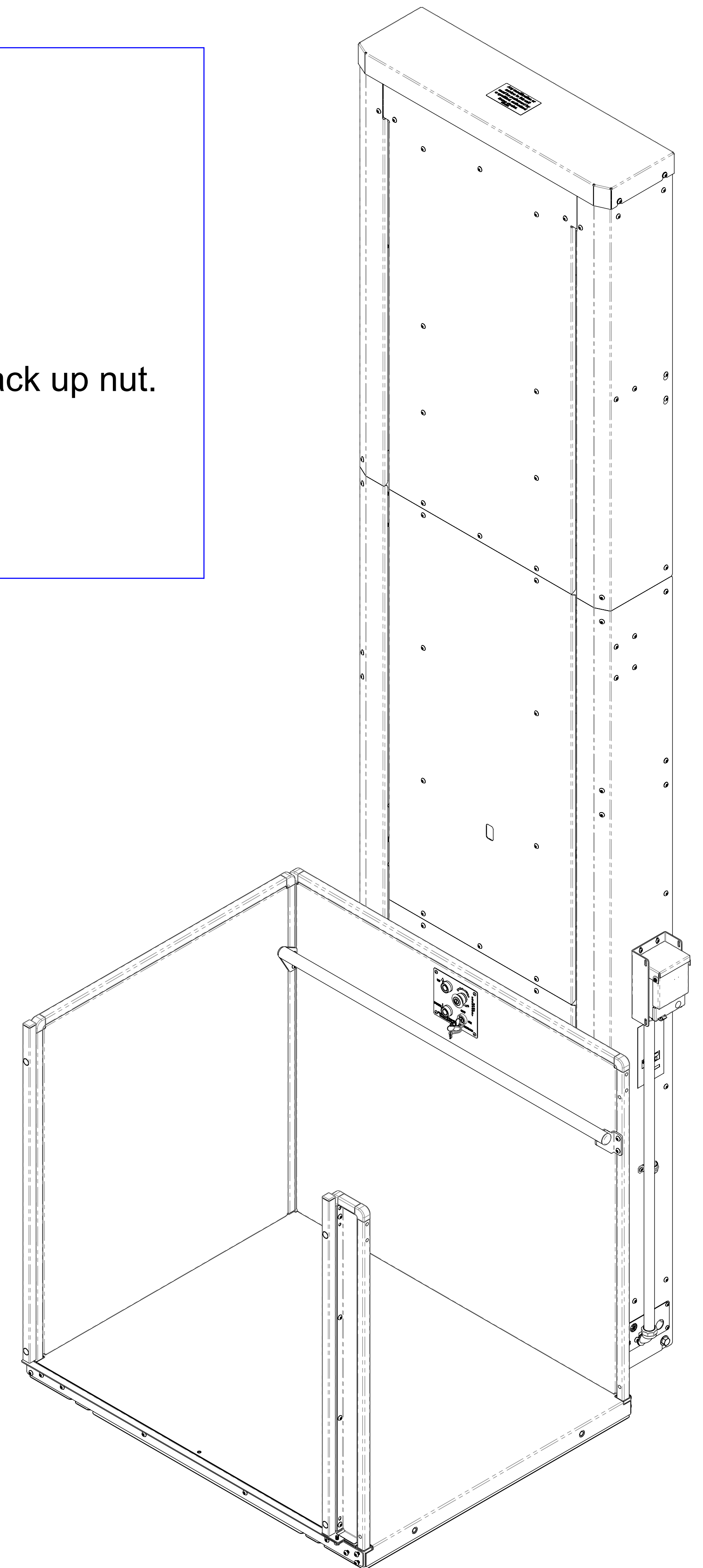
TECHNICAL DATA/SPECIFICATIONS

RATED LOAD:	750 lbs maximum.
INPUT POWER SOURCE:	
-DC BATTERY POWERED UNIT:	110-120 Volt 3 Amp 60 Hz battery charger.
DRIVE:	
-DC BATTERY POWERED UNIT:	VPL-3200B: 1 hp motor, 1750 rpm, 24 VDC, continuous duty.
INTERMEDIATE REDUCTION:	Dual 4L style Poly-V belts and pulleys, 3.94:1 pulley reduction.
FINAL DRIVE:	VPL-3200B: 1.25" dia. ACME screw w/bronze nut and bronze safety back up nut.
MOTOR CONTROLLER:	
-DC BATTERY POWERED UNIT:	24 VDC Relay control.
SPEED:	
-DC BATTERY POWERED UNIT:	10 feet per minute maximum

For complete technical specifications please see
ILS-00986 "VPL-3200B Series Residential Vertical Platform Lift Technical Specification"

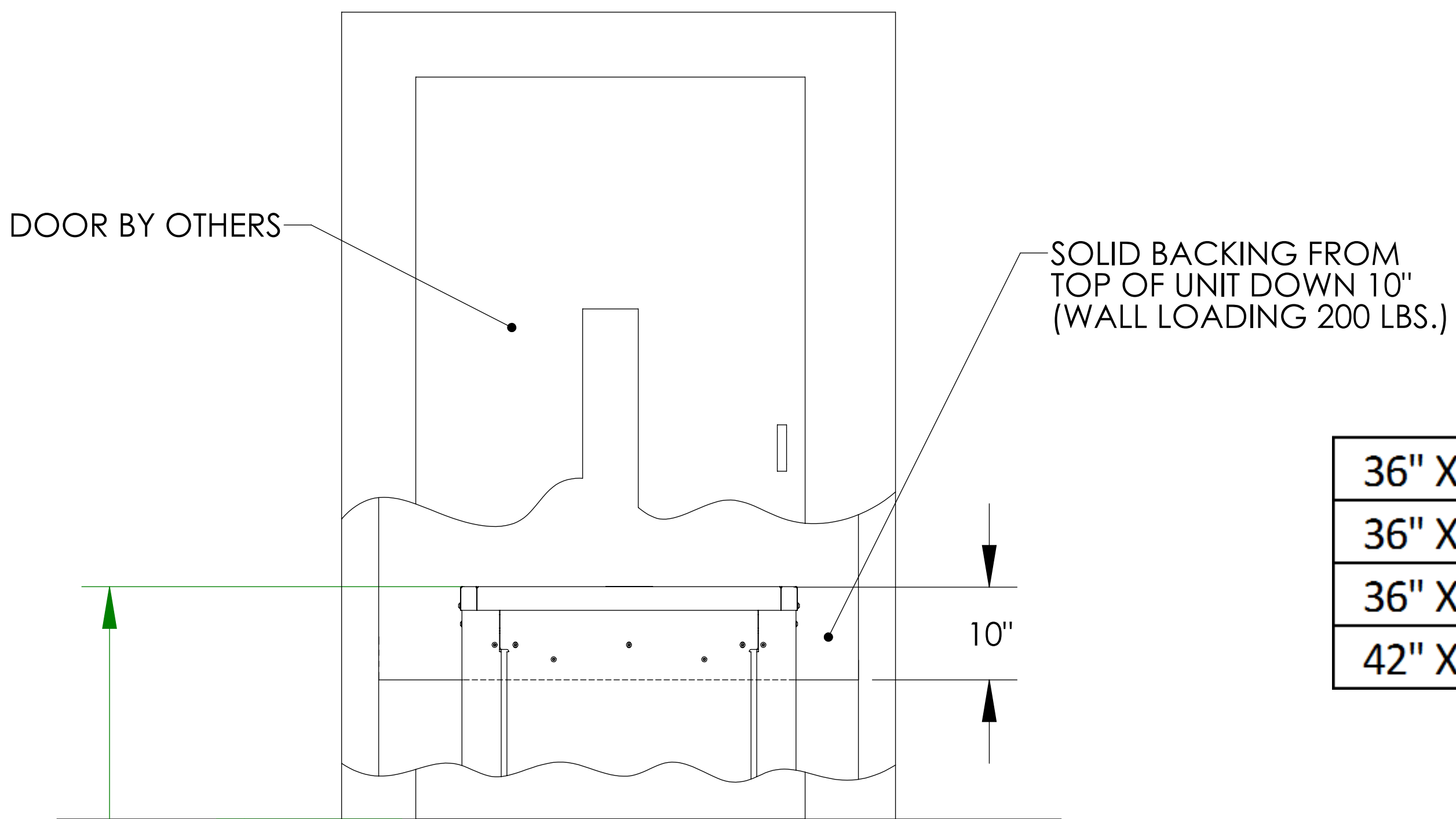
PERFORMANCE STANDARDS

USA FOOD & DRUG ADMINISTRATION:	CLASS II, 510(K) Exempt, File No. 890.3930, Product Code: PCE
ANSI/ASME:	A18.1-2011 Section 5 Safety Standards for Platform Lifts and Stairway Chairlifts CSA B613-00 (JAN 2002) Private Residence Lifts for Persons with Physical Disabilities
ANSI/ASME:	CSA B44.1-11/ASME-A17.5-2011 Elevator and Escalator Electrical Equipment

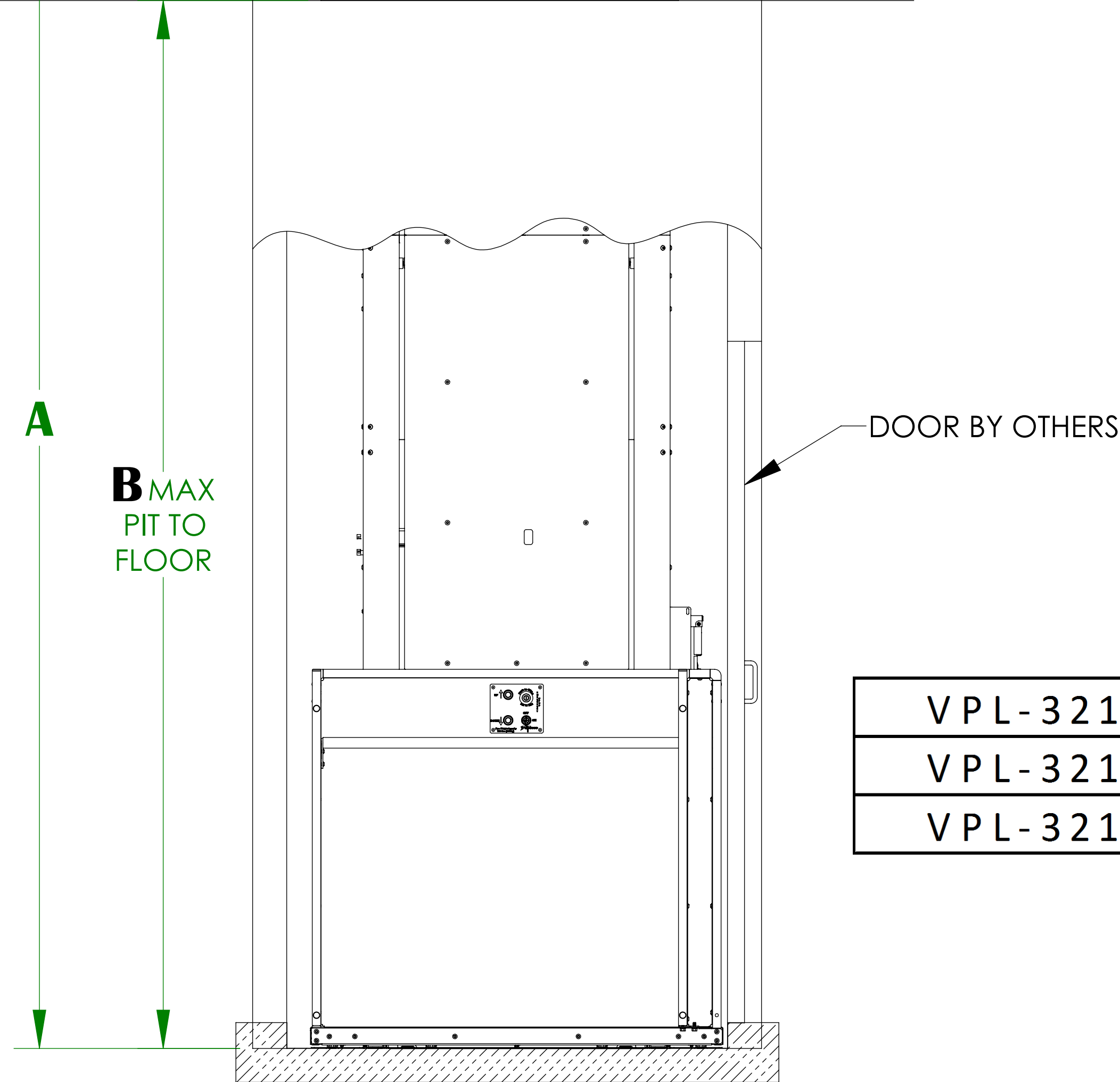


HOISTWAY 90° / ADJACENT EXIT PLATFORM (PIT APPLICATION)

VPL-3200B SERIES VERTICAL PLATFORM LIFT

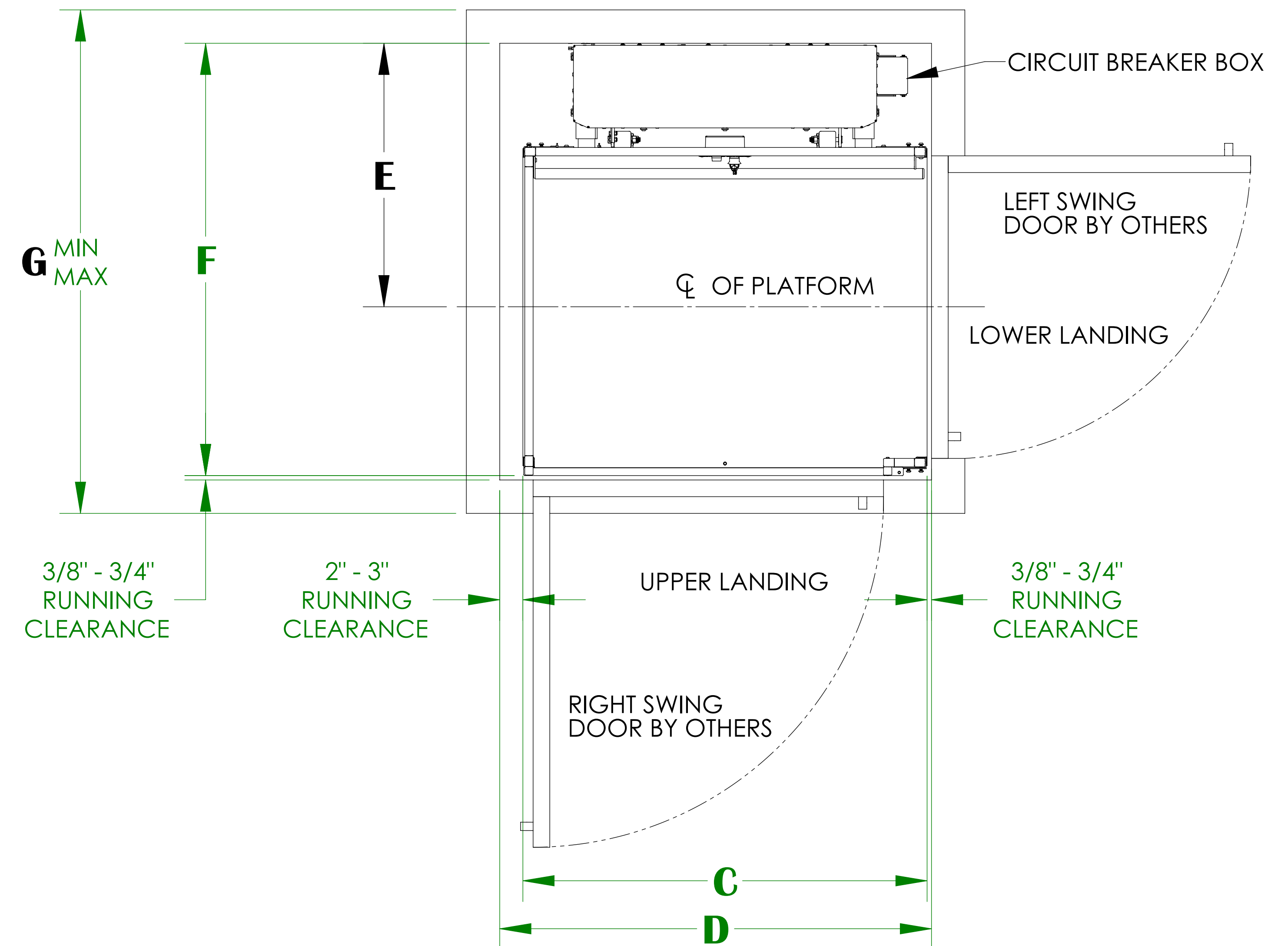


	C	D	E	F	G MIN	G MAX
36" X 48" PLATFORM	48-7/16"	50-13/16" - 52-3/16"	31-9/16"	51-11/16"	52-1/16"	52-7/16"
36" X 54" PLATFORM	54-7/16"	56-13/16" - 58-3/16"	31-9/16"	51-11/16"	52-1/16"	52-7/16"
36" X 60" PLATFORM	60-7/16"	62-13/16" - 64-3/16"	31-9/16"	51-11/16"	52-1/16"	52-7/16"
42" X 60" PLATFORM	60-7/16"	62-13/16" - 64-3/16"	34-9/16"	57-11/16"	58-1/16"	58-7/16"



ELEVATION VIEW
(RIGHT HAND UNIT SHOWN)

	A	B
VPL-3210B	148-1/16"	123"
VPL-3212B	172-1/16"	147"
VPL-3214B	196-1/16"	171"



PLAN VIEW
(RIGHT HAND UNIT SHOWN)

- NOTES:**
- HOISTWAY IN ACCORDANCE WITH SAFETY CODES (ASME -A18.1) AND TO LOCAL CODES AND REGULATIONS. HOISTWAY TO BE FIRE RATED IN ACCORDANCE WITH APPLICABLE BUILDING CODES IF REQUIRED BY SUCH CODES.
 - PLUMB HOISTWAY DUE TO CLOSE RUNNING CLEARANCES. MUST BE CONSTRUCTED PLUMB ($\pm 1/8$ IN) AND SQUARE AND TO SIZE SHOWN. NO CONDUIT, WIRING OR PIPING OTHER THAN THAT PERTAINING TO THE UNIT IS PERMITTED IN THE HOISTWAY.

HOISTWAY 90° / ADJACENT EXIT PLATFORM (PIT APPLICATION)

VPL-3200B SERIES VERTICAL PLATFORM LIFT

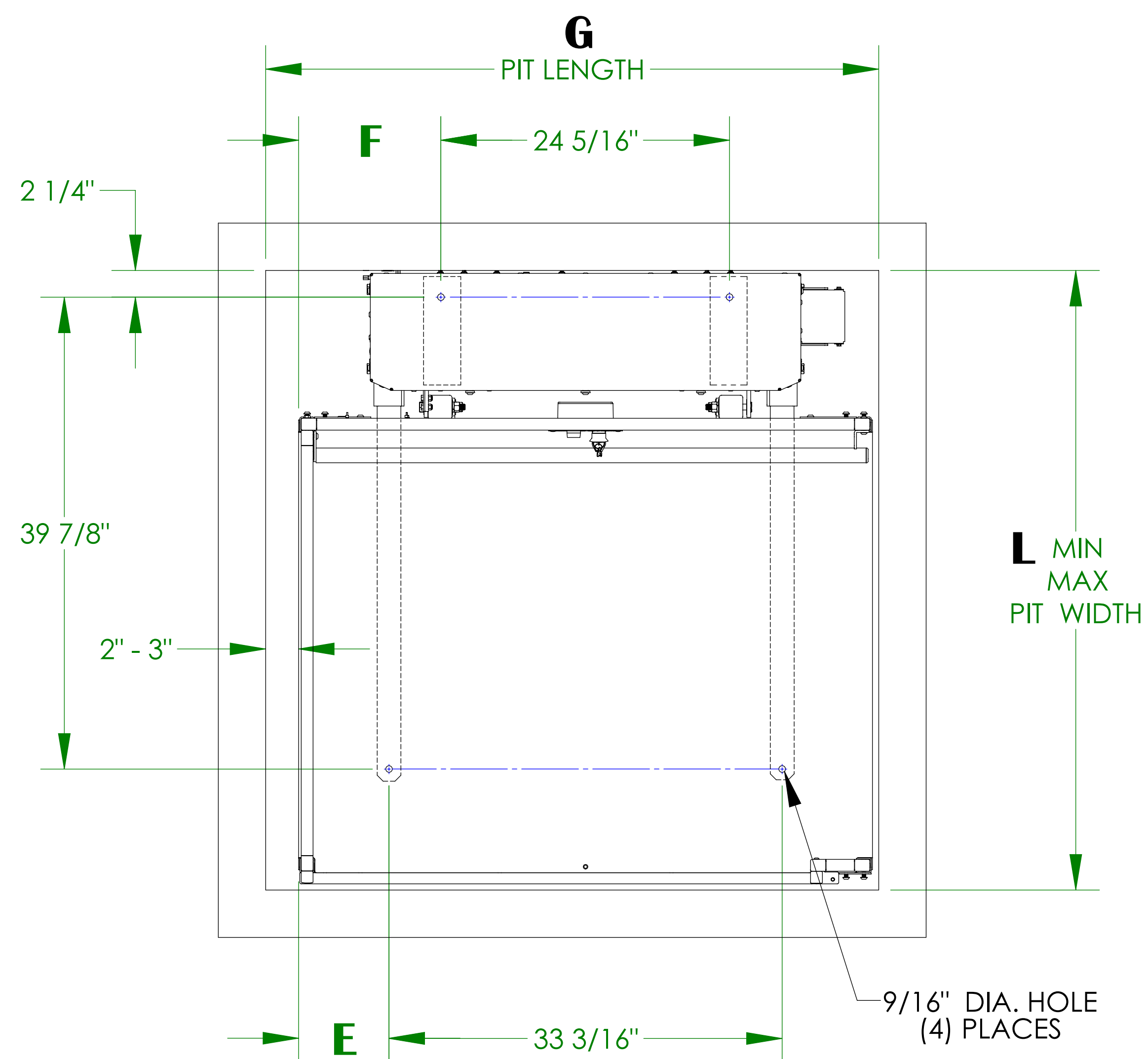
ANCHOR POINT LOCATIONS/PIT DETAIL

TECHNICAL SPECIFICATIONS

FLOOR ATTACHMENT:
VPL MUST BE FASTENED TO CONCRETE SLAB USING FOUR (4) 1/2" (3/8" BOLT)
X MINIMUM 2-1/2" LONG CONCRETE ANCHORS SUITABLE FOR THE ENVIRONMENT.
FOLLOW SELECTED CONCRETE ANCHOR MANUFACTURERS GUIDELINES AND
APPLICABLE CODES.

FLOOR REQUIREMENTS:
4" THICK 3500 PSI MINIMUM COMPRESSIVE STRENGTH, REINFORCED CONCRETE SLAB.

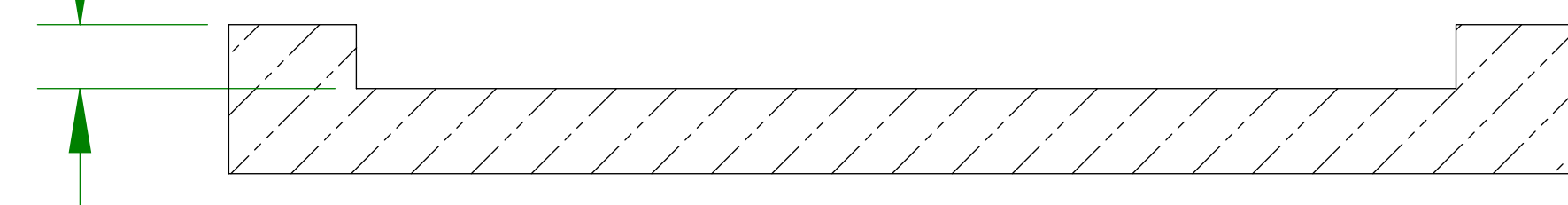
For complete technical specifications please see
ILS-00986 "VPL-3200B Series Residential Vertical Platform Lift Technical Specification"



UNITS WITH 90° / ADJACENT EXIT PLATFORM

	H	J	K	L MIN	L MAX
36" X 48" PLATFORM	7-5/8"	12-1/16"	50-13/16" - 52-3/16"	52-1/16"	52-7/16"
36" X 54" PLATFORM	10-5/8"	15-1/16"	56-13/16" - 58-3/16"	52-1/16"	52-7/16"
36" X 60" PLATFORM	13-5/8"	18-1/16"	62-13/16" - 64-3/16"	52-1/16"	52-7/16"
42" X 60" PLATFORM	13-5/8"	18-1/16"	62-13/16" - 64-3/16"	58-1/16"	58-7/16"

3" MIN
PIT DEPTH



PIT DETAIL