

HOISTWAY STRAIGHT-THRU PLATFORM (PIT APPLICATION)

VPL-3200B SERIES VERTICAL PLATFORM LIFT

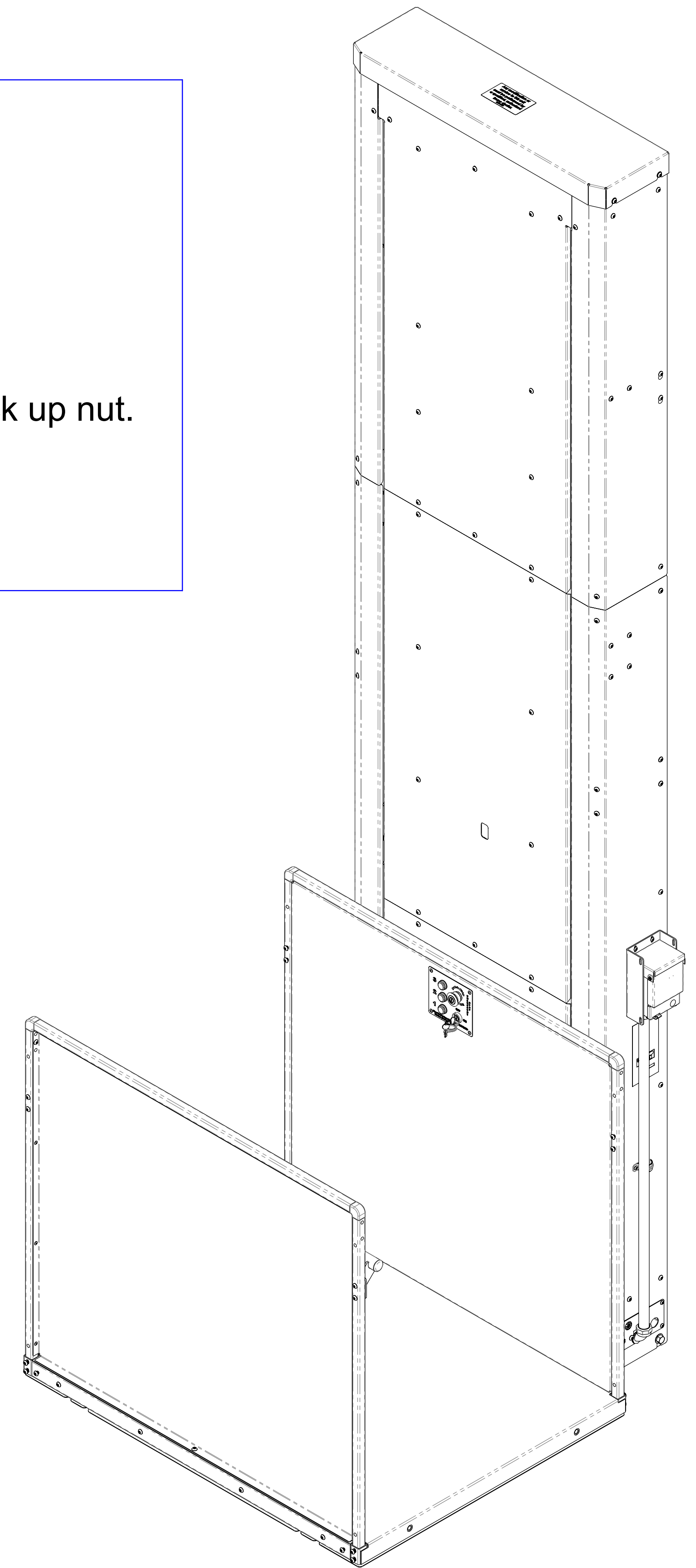
TECHNICAL DATA/SPECIFICATIONS

RATED LOAD:	750 lbs maximum.
INPUT POWER SOURCE:	
-DC BATTERY POWERED UNIT:	110-120 Volt 3 Amp 60 Hz battery charger.
DRIVE:	
-DC BATTERY POWERED UNIT:	VPL-3200B: 1 hp motor, 1750 rpm, 24 VDC, continuous duty.
INTERMEDIATE REDUCTION:	Dual 4L style Poly-V belts and pulleys, 3.94:1 pulley reduction.
FINAL DRIVE:	VPL-3200B: 1.25" dia. ACME screw w/bronze nut and bronze safety back up nut.
MOTOR CONTROLLER:	
-DC BATTERY POWERED UNIT:	24 VDC Relay control.
SPEED:	
-DC BATTERY POWERED UNIT:	10 feet per minute maximum

For complete technical specifications please see
ILS-00986 "VPL-3200B Series Residential Vertical Platform Lift Technical Specification"

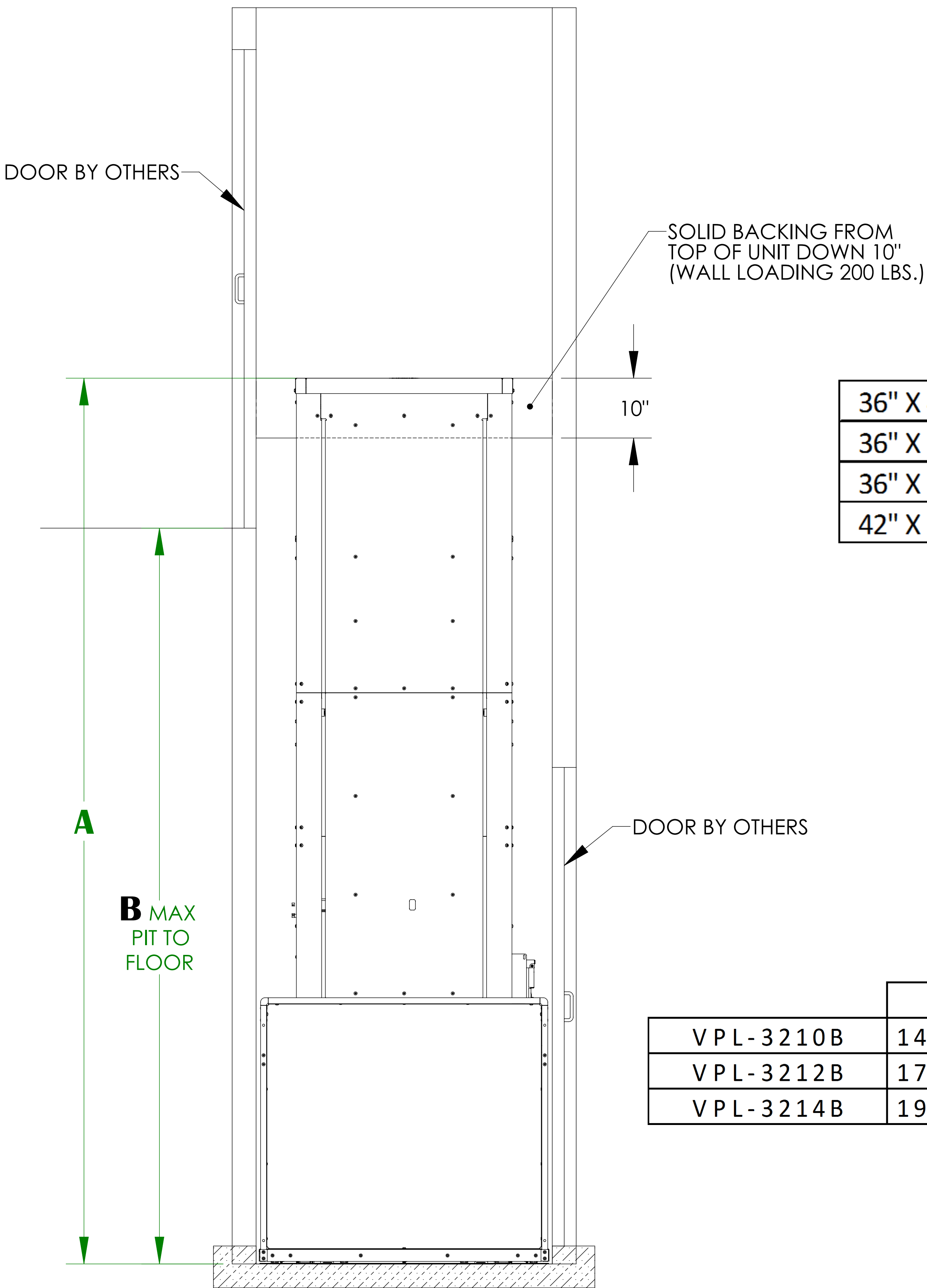
PERFORMANCE STANDARDS

USA FOOD & DRUG ADMINISTRATION:	CLASS II, 510(K) Exempt, File No. 890.3930, Product Code: PCE
ANSI/ASME:	A18.1-2011 Section 5 Safety Standards for Platform Lifts and Stairway Chairlifts CSA B613-00 (JAN 2002) Private Residence Lifts for Persons with Physical Disabilities
ANSI/ASME:	CSA B44.1-11/ASME-A17.5-2011 Elevator and Escalator Electrical Equipment



HOISTWAY STRAIGHT-THRU PLATFORM (PIT APPLICATION)

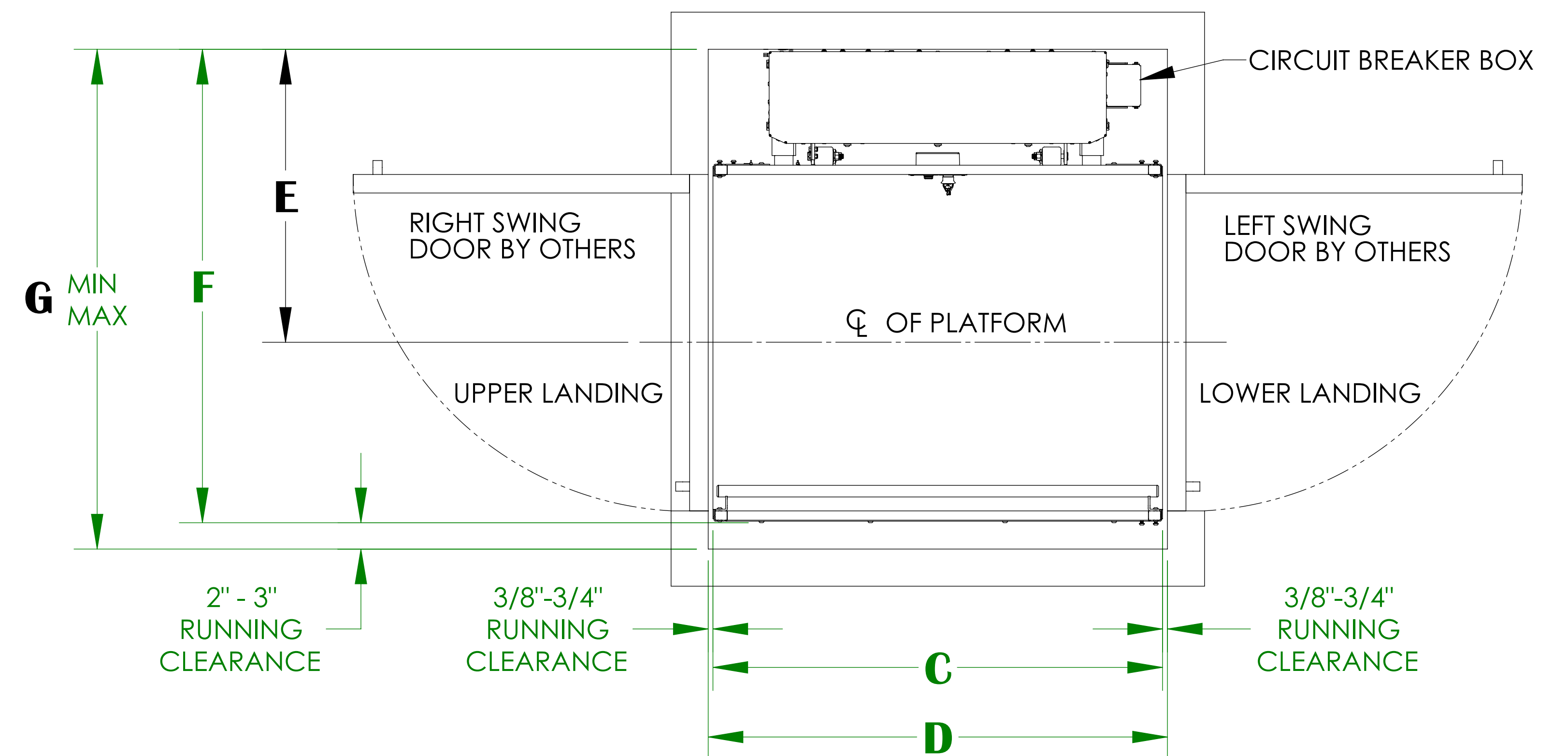
VPL-3200B SERIES VERTICAL PLATFORM LIFT



ELEVATION VIEW
(RIGHT HAND UNIT SHOWN)

	C	D	E	F	G MIN	G MAX
36" X 48" PLATFORM	48-7/16"	49-3/16" - 49-15/16"	31-9/16"	50-13/16"	52-13/16"	53-13/16"
36" X 54" PLATFORM	54-7/16"	55-3/16" - 55-15/16"	31-9/16"	50-13/16"	52-13/16"	53-13/16"
36" X 60" PLATFORM	60-7/16"	61-3/16" - 61-15/16"	31-9/16"	50-13/16"	52-13/16"	53-13/16"
42" X 60" PLATFORM	60-7/16"	61-3/16" - 61-15/16"	34-9/16"	56-13/16"	58-13/16"	59-13/16"

	A	B
VPL-3210B	148-1/16"	123"
VPL-3212B	172-1/16"	147"
VPL-3214B	196-1/16"	171"



PLAN VIEW
(RIGHT HAND UNIT SHOWN)

NOTES:

1. HOISTWAY IN ACCORDANCE WITH SAFETY CODES (ASME -A18.1) AND TO LOCAL CODES AND REGULATIONS. HOISTWAY TO BE FIRE RATED IN ACCORDANCE WITH APPLICABLE BUILDING CODES IF REQUIRED BY SUCH CODES.
2. PLUMB HOISTWAY DUE TO CLOSE RUNNING CLEARANCES. MUST BE CONSTRUCTED PLUMB ($\pm 1/8$ IN) AND SQUARE AND TO SIZE SHOWN.
3. NO CONDUIT, WIRING OR PIPING OTHER THAN THAT PERTAINING TO THE UNIT IS PERMITTED IN THE HOISTWAY.

ILS-00981
SHEET 2 OF 3
REV. 3 (5328)(4/8/13)(DPG)

Bruno Independent Living Aids, Inc., 1780 Executive Drive, P.O. Box 84, Oconomowoc, WI 53066
Phone (800) 882-8183 Fax (262) 953-5501

Any reproduction or other use of these materials without written permission of Bruno Independent Living Aids, Inc. is expressly prohibited. Bruno Independent Living Aids, Inc. reserves the right to modify or make changes to these specifications at any time with out notice.

HOISTWAY STRAIGHT-THRU PLATFORM (PIT APPLICATION)

VPL-3200B SERIES VERTICAL PLATFORM LIFT

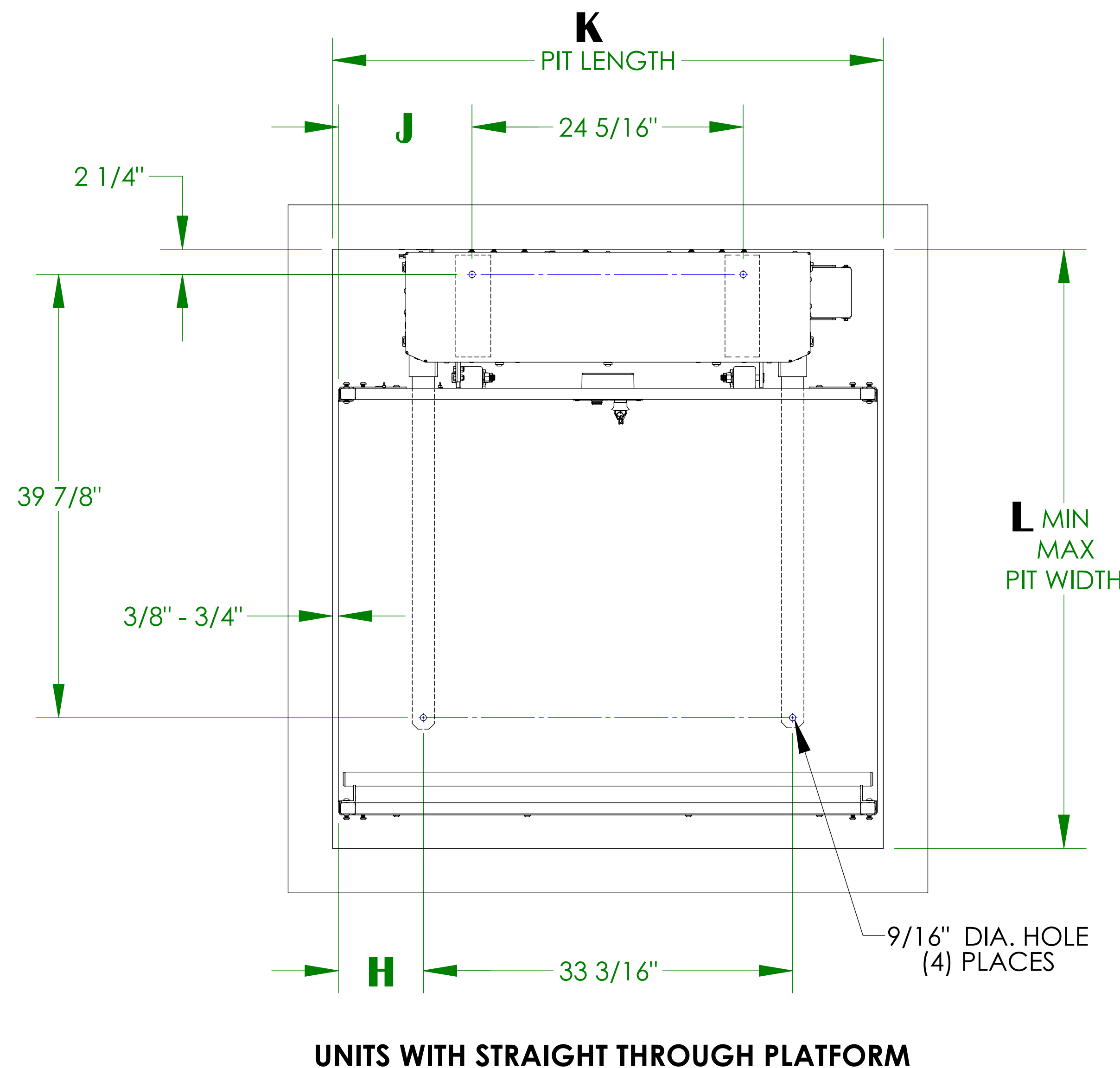
ANCHOR POINT LOCATIONS/PIT DETAIL

TECHNICAL SPECIFICATIONS

FLOOR ATTACHMENT:
 VPL MUST BE FASTENED TO CONCRETE SLAB USING FOUR (4) 1/2" (3/8" BOLT)
 X MINIMUM 2-1/2" LONG CONCRETE ANCHORS SUITABLE FOR THE ENVIRONMENT.
 FOLLOW SELECTED CONCRETE ANCHOR MANUFACTURERS GUIDELINES AND
 APPLICABLE CODES.

FLOOR REQUIREMENTS:
 4" THICK 3500 PSI MINIMUM COMPRESSIVE STRENGTH, REINFORCED CONCRETE SLAB.

For complete technical specifications please see
 ILS-00986 "VPL-3200B Series Residential Vertical Platform Lift Technical Specification"



	H	J	K	L MIN	L MAX
36" X 48" PLATFORM	7-5/8"	12-1/16"	49-3/16" - 49-15/16"	52-13/16"	53-13/16"
36" X 54" PLATFORM	10-5/8"	15-1/16"	55-3/16" - 55-15/16"	52-13/16"	53-13/16"
36" X 60" PLATFORM	13-5/8"	18-1/16"	61-3/16" - 61-15/16"	52-13/16"	53-13/16"
42" X 60" PLATFORM	13-5/8"	18-1/16"	61-3/16" - 61-15/16"	58-13/16"	59-13/16"

