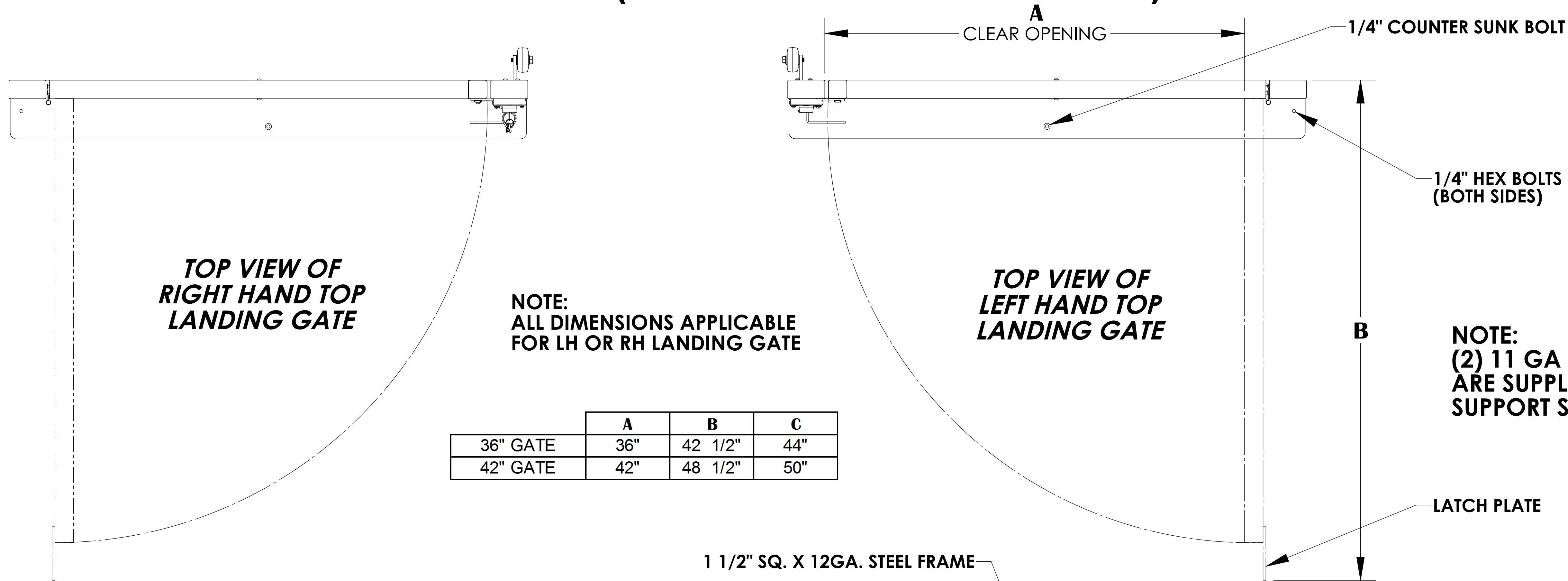


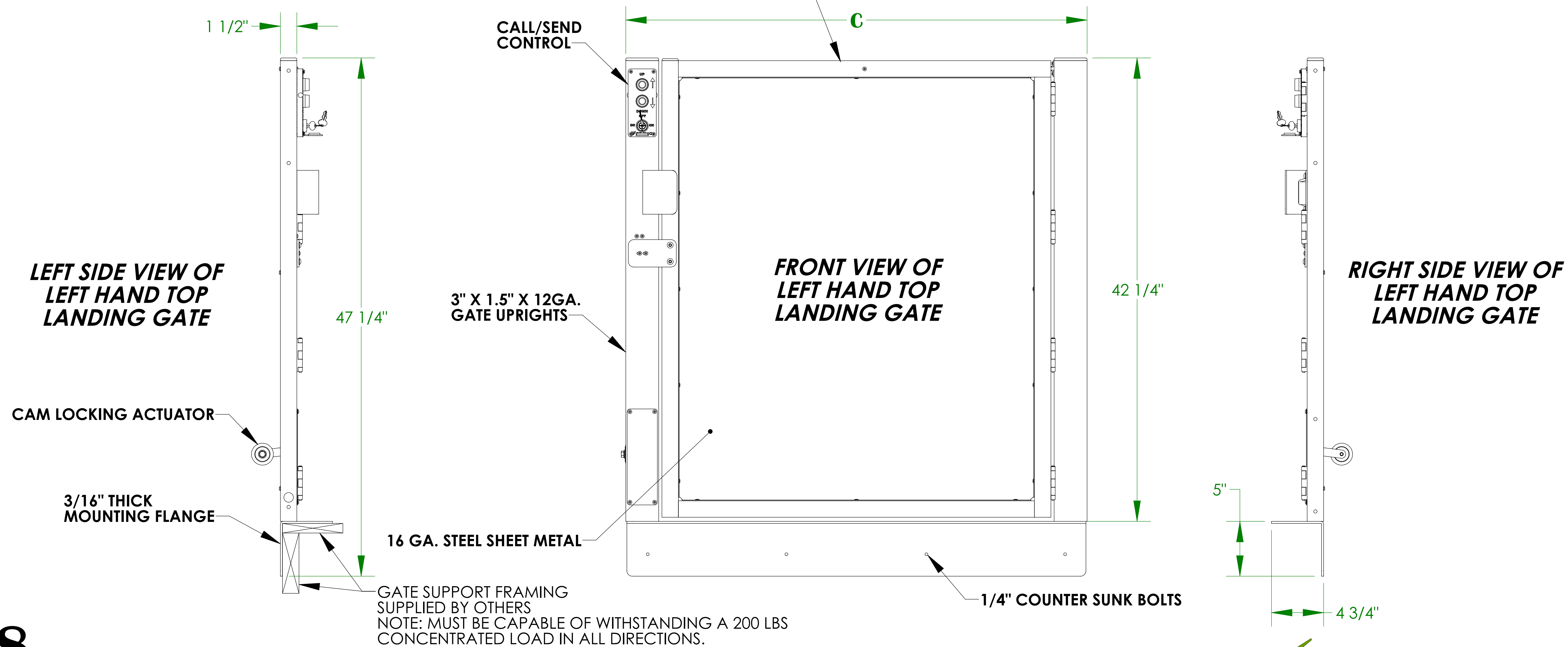
# LANDING GATE DETAIL

## VPL-3100/VPL-3200B SERIES VERTICAL PLATFORM LIFT

### (VIEWED AT TOP LANDING)



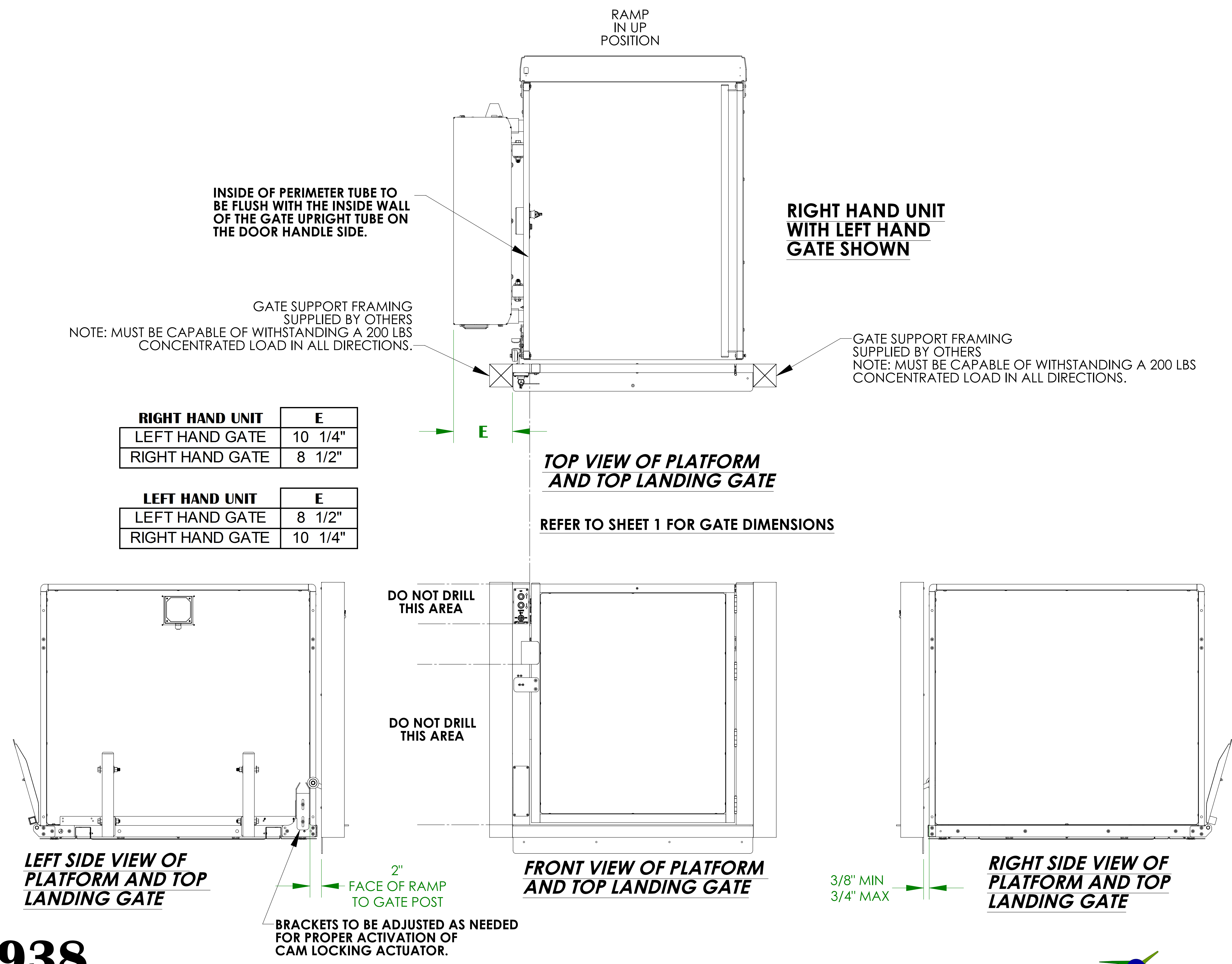
	A	B	C
36" GATE	36"	42 1/2"	44"
42" GATE	42"	48 1/2"	50"



# LANDING GATE ALIGNMENT (STRAIGHT-THRU PLATFORM)

## VPL-3100/VPL-3200B SERIES VERTICAL PLATFORM LIFT

### (VIEWED AT TOP LANDING)

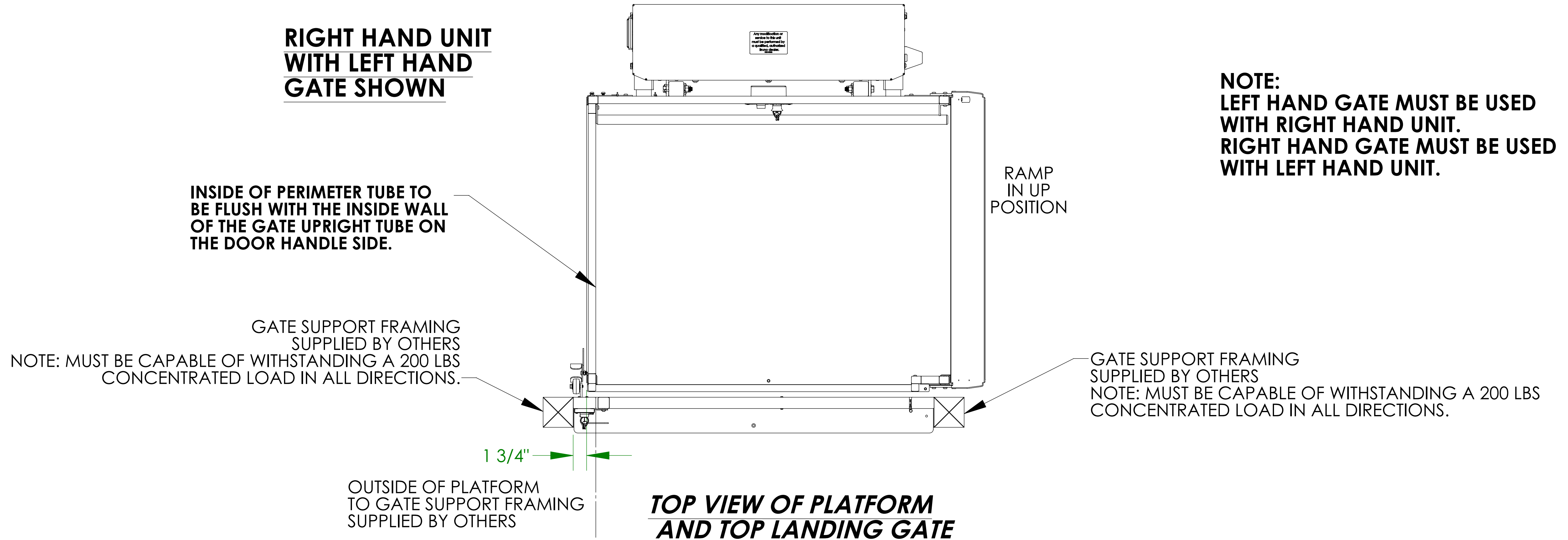




# LANDING GATE ALIGNMENT (90°/ADJACENT EXIT PLATFORM)

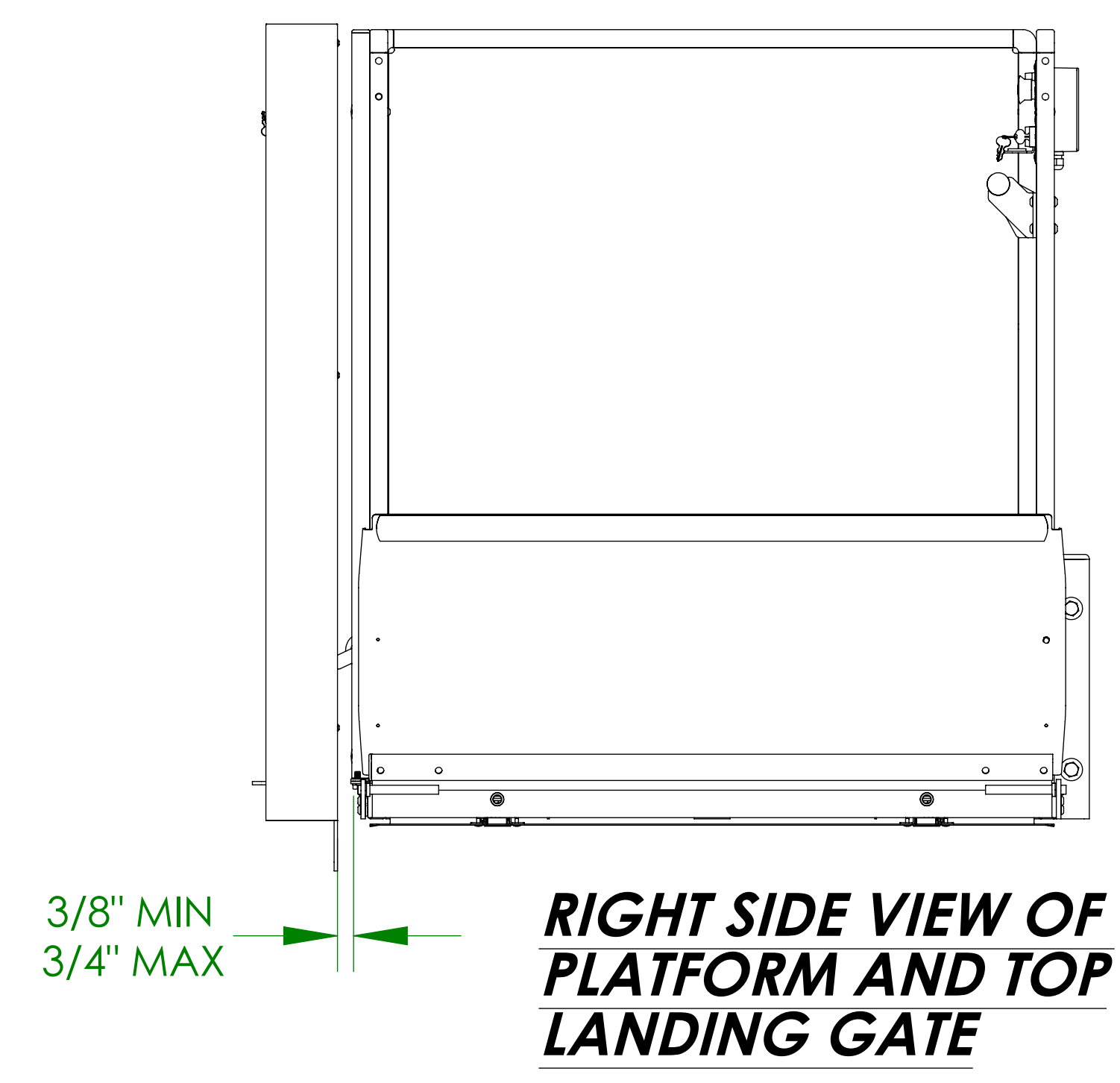
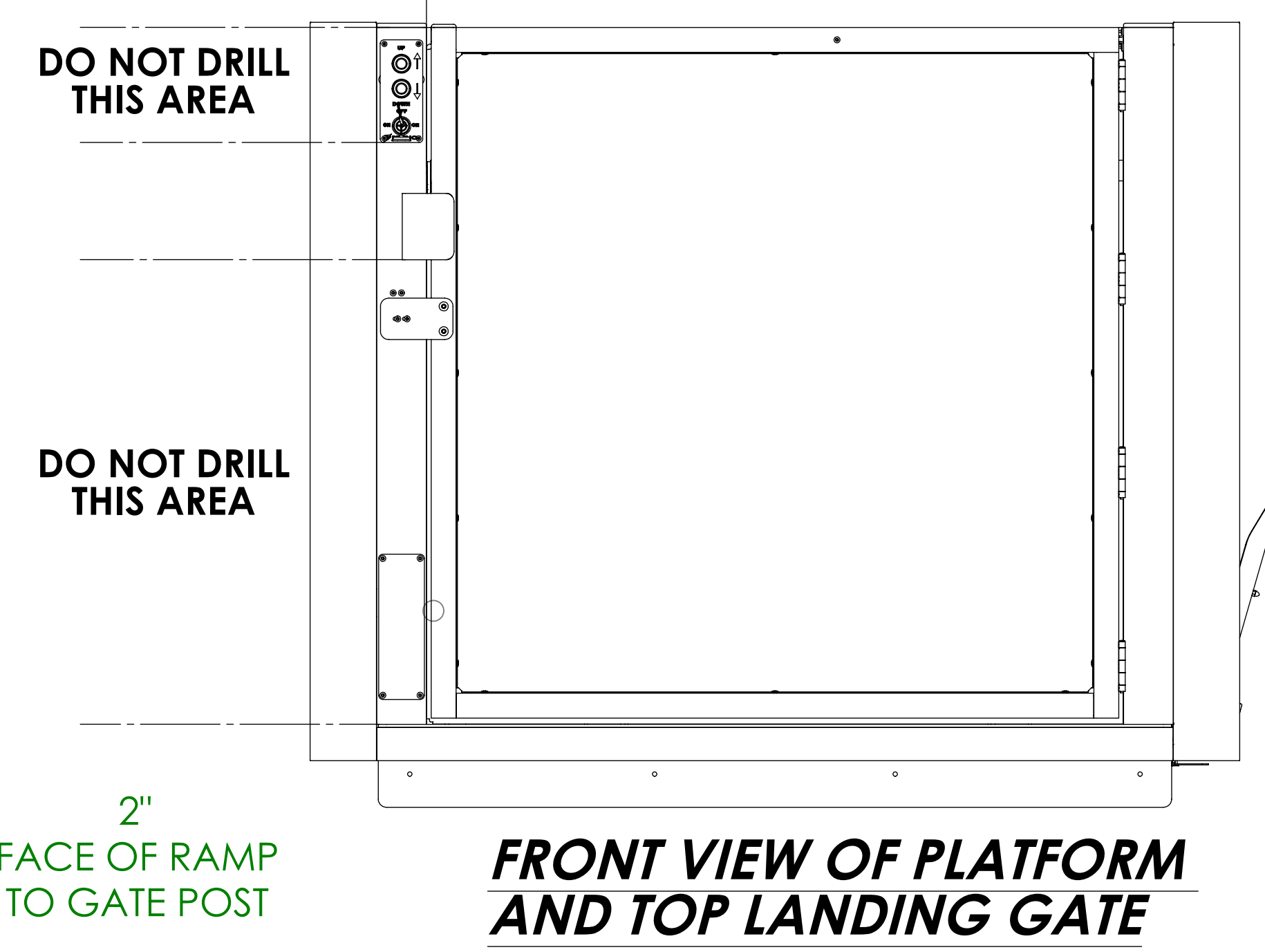
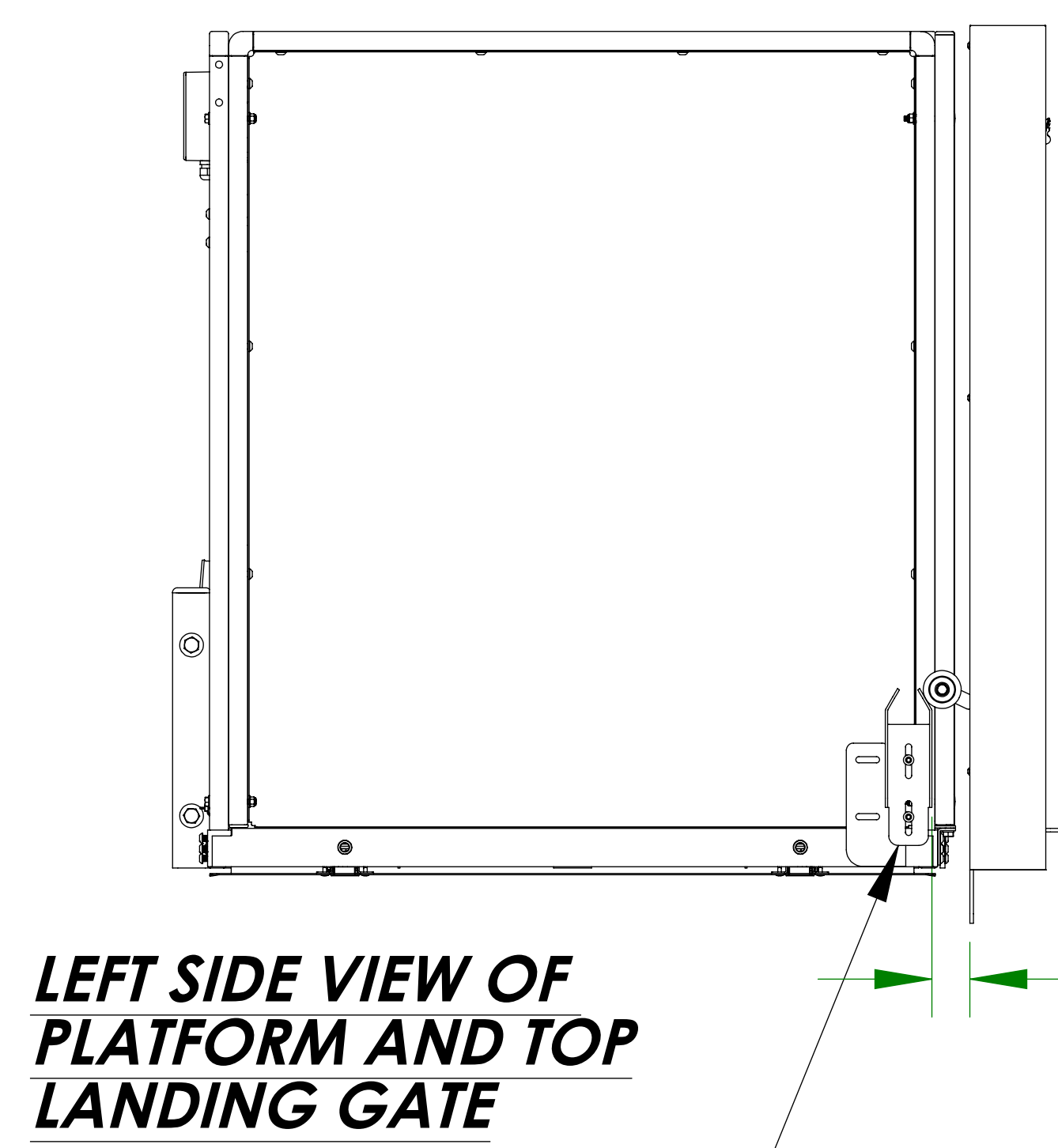
## VPL-3100/VPL-3200B SERIES VERTICAL PLATFORM LIFT

### (VIEWED AT TOP LANDING)



**NOTE:**  
LEFT HAND GATE MUST BE USED WITH RIGHT HAND UNIT.  
RIGHT HAND GATE MUST BE USED WITH LEFT HAND UNIT.

**REFER TO SHEET 1 FOR GATE DIMENSIONS**

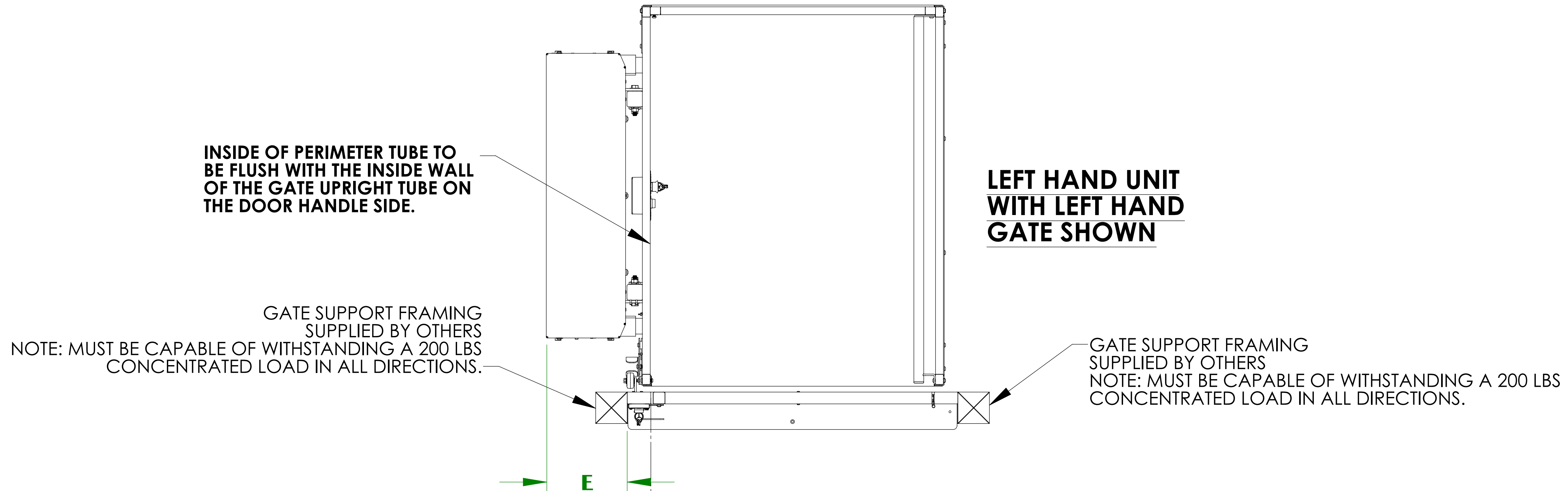


**BRACKETS TO BE ADJUSTED AS NEEDED FOR PROPER ACTIVATION OF CAM LOCKING ACTUATOR.**

# LANDING GATE ALIGNMENT (SAME SIDE PLATFORM)

## 3200B SERIES VERTICAL PLATFORM LIFT

### (VIEWED AT TOP LANDING)

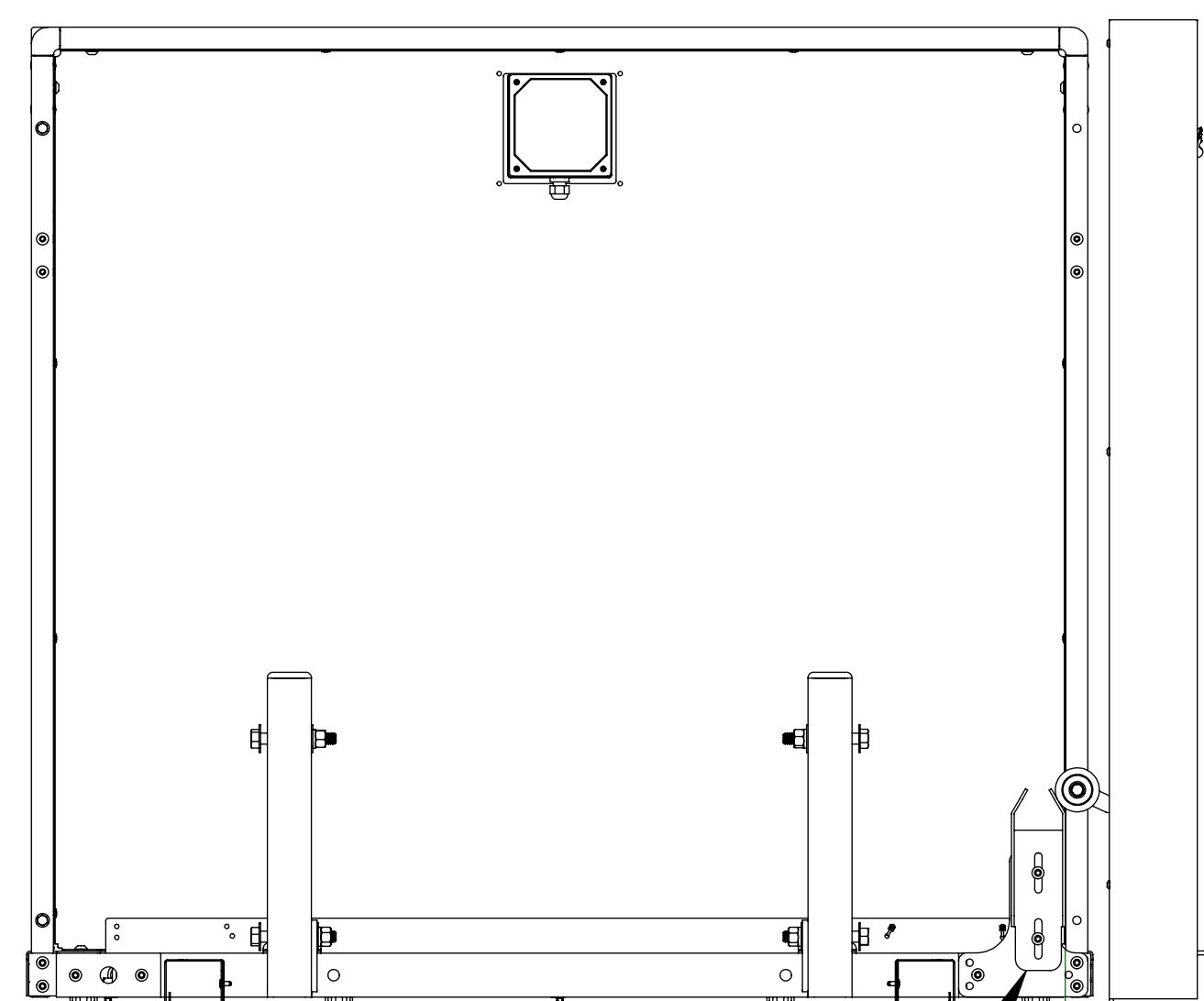


LEFT HAND UNIT		E
LEFT HAND GATE		10 1/4"
RIGHT HAND GATE		8 1/2"

RIGHT HAND UNIT		E
LEFT HAND GATE		8 1/2"
RIGHT HAND GATE		10 1/4"

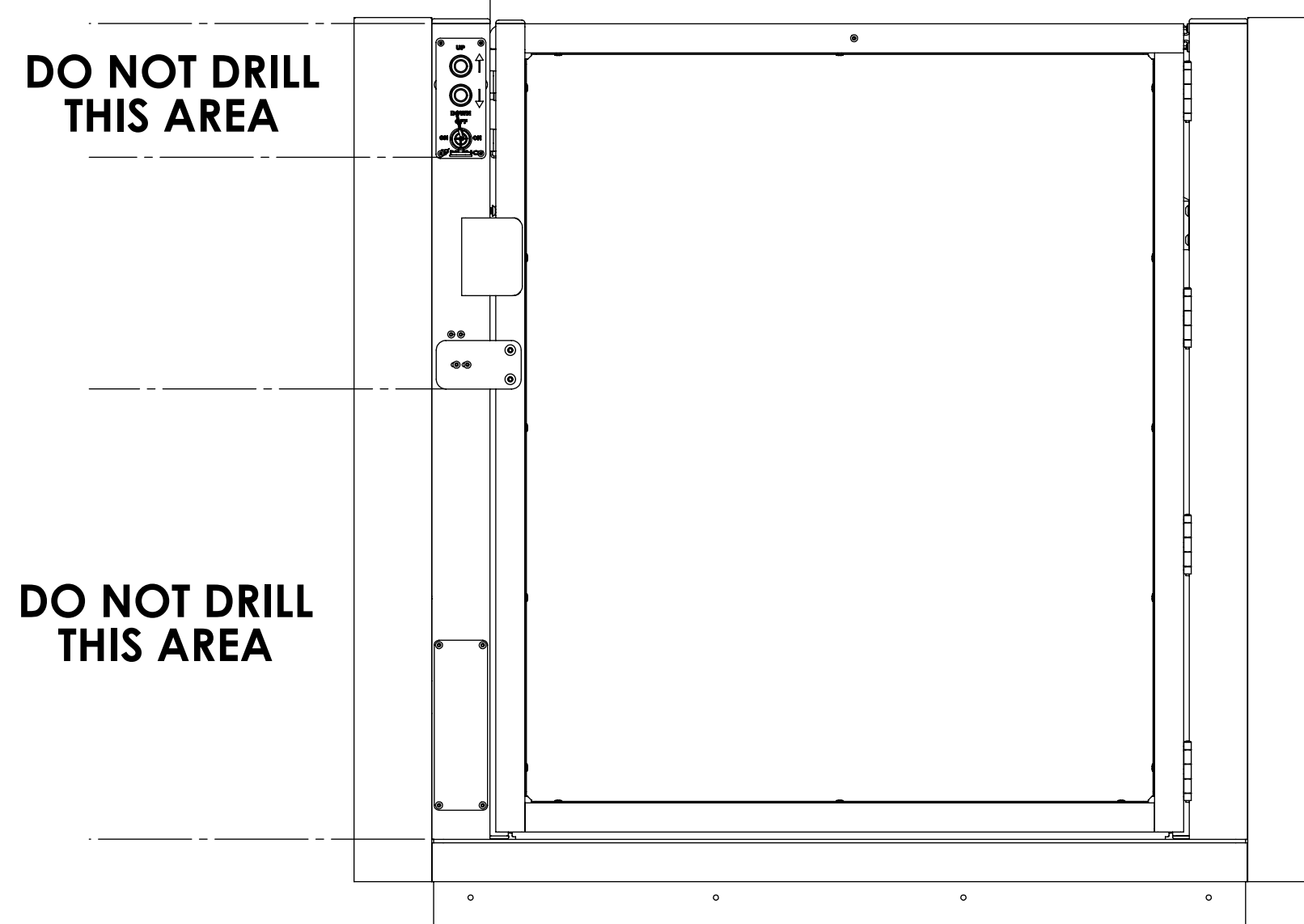
**TOP VIEW OF PLATFORM AND TOP LANDING GATE**  
REFER TO SHEET 1 FOR GATE DIMENSIONS



**LEFT SIDE VIEW OF PLATFORM AND TOP LANDING GATE**

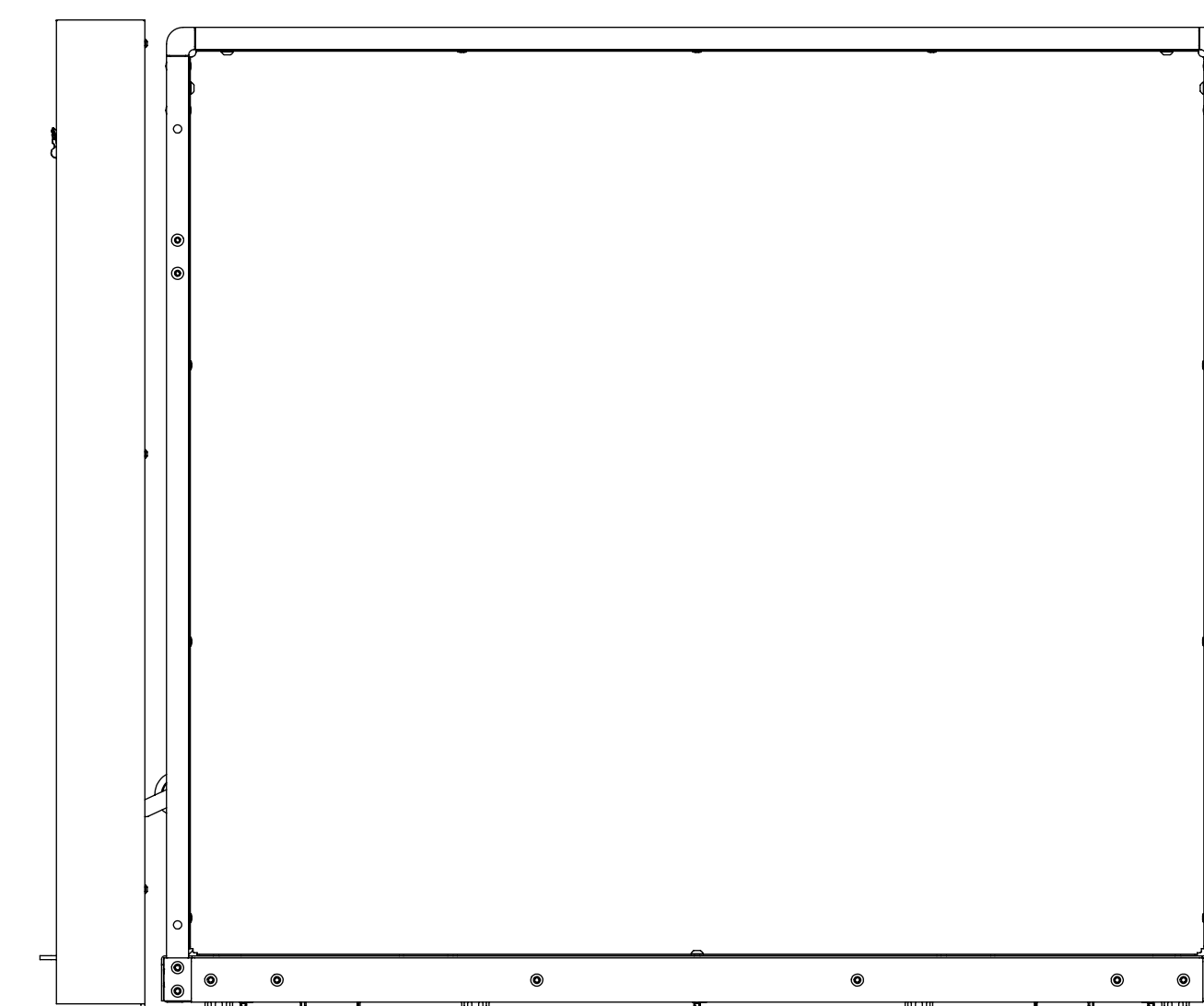
2"  
FACE OF RAMP TO GATE POST

BRACKETS TO BE ADJUSTED AS NEEDED FOR PROPER ACTIVATION OF CAM LOCKING ACTUATOR.



**FRONT VIEW OF PLATFORM AND TOP LANDING GATE**

3/8" MIN  
3/4" MAX



**RIGHT SIDE VIEW OF PLATFORM AND TOP LANDING GATE**